

TEST REPORT

No. : XMIN1909007115ML

Date : Oct 28, 2019

Page: 1 of 5



CUSTOMER NAME: XIAMEN GOOMAX ENERGY TECHNOLOGY CO., LTD
ADDRESS: 905# JORDAN BUILDING, HIGH-TECH PARK, HULI DISTRICT,
XIAMEN CHINA

Sample Name : TILT ARM FRONT&REAR LEG

Material and Mark : AL6005-T5

Above information and sample(s) was/were submitted and confirmed by the client. SGS, however, assumes no responsibility to verify the accuracy, adequacy and completeness of the sample information provided by client.

Date of Receipt : Sep 16, 2019

Testing Start Date : Sep 16, 2019

Testing End Date : Oct 28, 2019

Test result(s) : For further details, please refer to the following page(s)
(Unless otherwise stated the results shown in this test report refer only to the sample(s) tested)

Signed for
SGS-CSTC Standards Technical
Services Co. , Ltd Xiamen Branch
Testing Center

Hank Li

Authorized signatory



Unless otherwise agreed in writing, this document is issued by the Company subject to its General Conditions of Service printed overleaf, available on request or accessible at <http://www.sgs.com/en/Terms-and-Conditions.aspx> and, for electronic format documents, subject to Terms and Conditions for Electronic Documents at <http://www.sgs.com/en/Terms-and-Conditions/Terms-e-Documents.aspx>. Attention is drawn to the limitation of liability, indemnification and jurisdiction issues defined therein. Any holder of this document is advised that information contained hereon reflects the Company's findings at the time of its intervention only and within the limits of Client's instructions, if any. The Company's sole responsibility is to its Client and this document does not exonerate parties to a transaction from exercising all their rights and obligations under the transaction documents. This document cannot be reproduced except in full, without prior written approval of the Company. Any unauthorized alteration, forgery or falsification of the content or appearance of this document is unlawful and offenders may be prosecuted to the fullest extent of the law. Unless otherwise stated the results shown in this test report refer only to the sample(s) tested and such sample(s) are retained for 30 days only.

Attention: To check the authenticity of testing / inspection report & certificate, please contact us at telephone: (86-755) 8307 1443, or email: CN.Doccheck@sgs.com

SGS-CSTC Standards Technical Services Co., Ltd.
Xiamen Branch Testing Center-Materials Laboratory

No.31 Xianghong Road, Xiang'an Torch Industrial Zone, Xiamen, Fujian Province, China. 361101 t (86-592) 5761588 f (86-592) 5765380 www.sgs.com.cn
中国·福建·厦门·火炬(翔安)产业区翔虹路31号 邮编:361101 t (86-592) 5761588 f (86-592) 5765380 e sgs.china@sgs.com

TEST REPORT

No. : XMIN1909007115ML

Date : Oct 28, 2019

Page: 2 of 5

Pull-out Test:

Test method: accord to the client's requirement, as the following:

Step 1: Fix the wood on the test machine;

Step 2: Fasten the tilt arm front&rear leg on the wood;

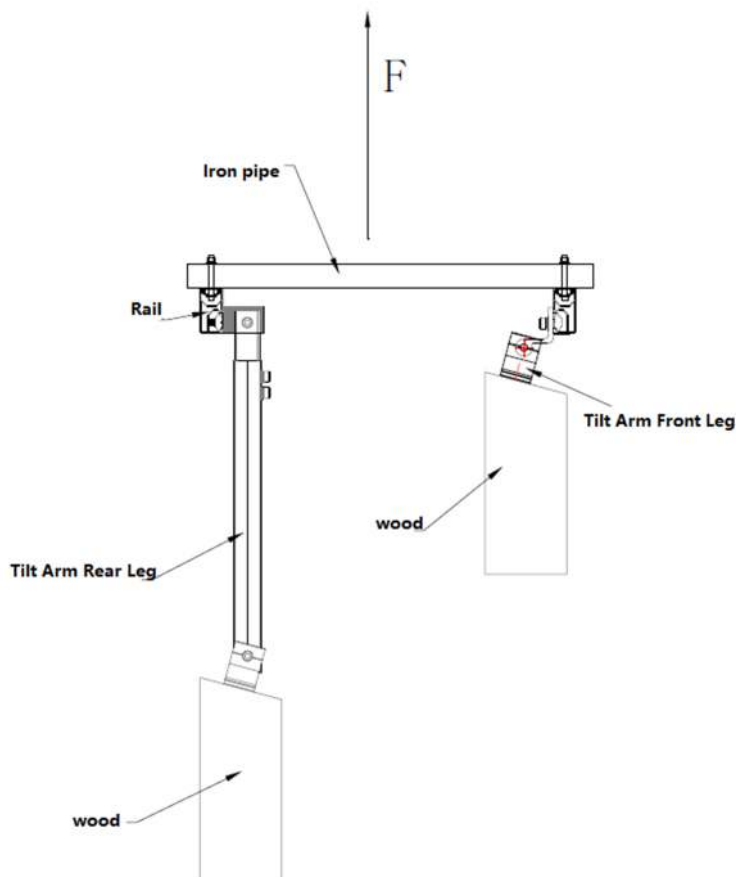
Step 3: Cut a rail into two, and install it on the tilt arm front&rear leg respectively.

Step 4: Install an iron pipe on the rail.

Step 5: Apply upward load to the center of the iron pipe till the assembly destruction.

Step 6: Record the maximum force.

Test sketch:



Unless otherwise agreed in writing, this document is issued by the Company subject to its General Conditions of Service printed overleaf, available on request or accessible at <http://www.sgs.com/en/Terms-and-Conditions.aspx> and, for electronic format documents, subject to Terms and Conditions for Electronic Documents at <http://www.sgs.com/en/Terms-and-Conditions/Terms-e-Document.aspx>. Attention is drawn to the limitation of liability, indemnification and jurisdiction issues defined therein. Any holder of this document is advised that information contained hereon reflects the Company's findings at the time of its intervention only and within the limits of Client's instructions, if any. The Company's sole responsibility is to its Client and this document does not exonerate parties to a transaction from exercising all their rights and obligations under the transaction documents. This document cannot be reproduced except in full, without prior written approval of the Company. Any unauthorized alteration, forgery or falsification of the content or appearance of this document is unlawful and offenders may be prosecuted to the fullest extent of the law. Unless otherwise stated the results shown in this test report refer only to the sample(s) tested and such sample(s) are retained for 30 days only.

Attention: To check the authenticity of testing / inspection report & certificate, please contact us at telephone: (86-755) 8307 1443, or email: CN.Doccheck@sgs.com

SGS-CSTC Xiamen Branch Testing Centre-Materials Laboratory

No.31 Xianghong Road, Xiang'an Torch Industrial Zone, Xiamen, Fujian Province, China. 361101 t (86-592) 5761588 f (86-592) 5765380 www.sgs.com.cn
 中国·福建·厦门·火炬(翔安)产业区翔虹路31号 邮编:361101 t (86-592) 5761588 f (86-592) 5765380 e sgs.china@sgs.com

TEST REPORT

No. : XMIN1909007115ML

Date : Oct 28, 2019

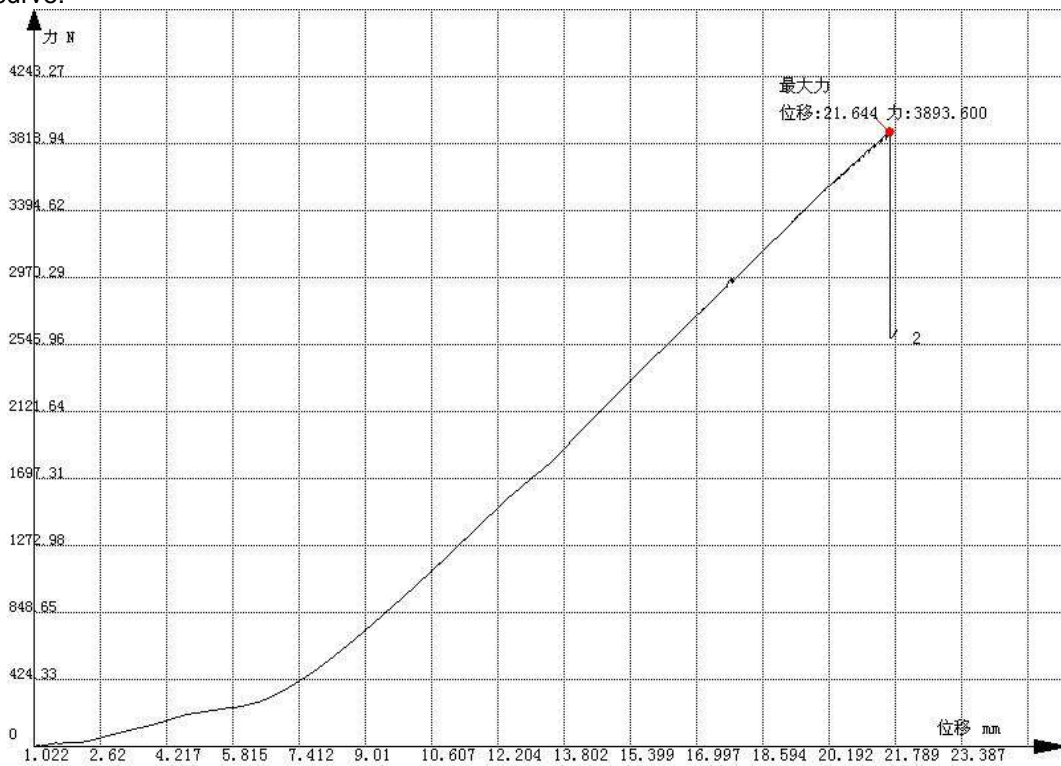
Page: 3 of 5

Test Result:

Test item	Test result
Pull test	the maximum force is 3894 N

Note: Tilt arm rear leg: 384mm

Test curve:



Force-displacement curve



Unless otherwise agreed in writing, this document is issued by the Company subject to its General Conditions of Service printed overleaf, available on request or accessible at <http://www.sgs.com/en/Terms-and-Conditions.aspx> and, for electronic format documents, subject to Terms and Conditions for Electronic Documents at <http://www.sgs.com/en/Terms-and-Conditions/Terms-e-Documents.aspx>. Attention is drawn to the limitation of liability, indemnification and jurisdiction issues defined therein. Any holder of this document is advised that information contained hereon reflects the Company's findings at the time of its intervention only and within the limits of Client's instructions, if any. The Company's sole responsibility is to its Client and this document does not exonerate parties to a transaction from exercising all their rights and obligations under the transaction documents. This document cannot be reproduced except in full, without prior written approval of the Company. Any unauthorized alteration, forgery or falsification of the content or appearance of this document is unlawful and offenders may be prosecuted to the fullest extent of the law. Unless otherwise stated the results shown in this test report refer only to the sample(s) tested and such sample(s) are retained for 30 days only.

Attention: To check the authenticity of testing / inspection report & certificate, please contact us at telephone: (86-755) 8307 1443, or email: CN.Doccheck@sgs.com

No.31 Xianghong Road, Xiang'an Torch Industrial Zone, Xiamen, Fujian Province, China. 361101 t (86-592) 5761588 f (86-592) 5765380 www.sgsgroup.com.cn
中国·福建·厦门·火炬(翔安)产业区翔虹路31号 邮编:361101 t (86-592) 5761588 f (86-592) 5765380 e sgs.china@sgs.com

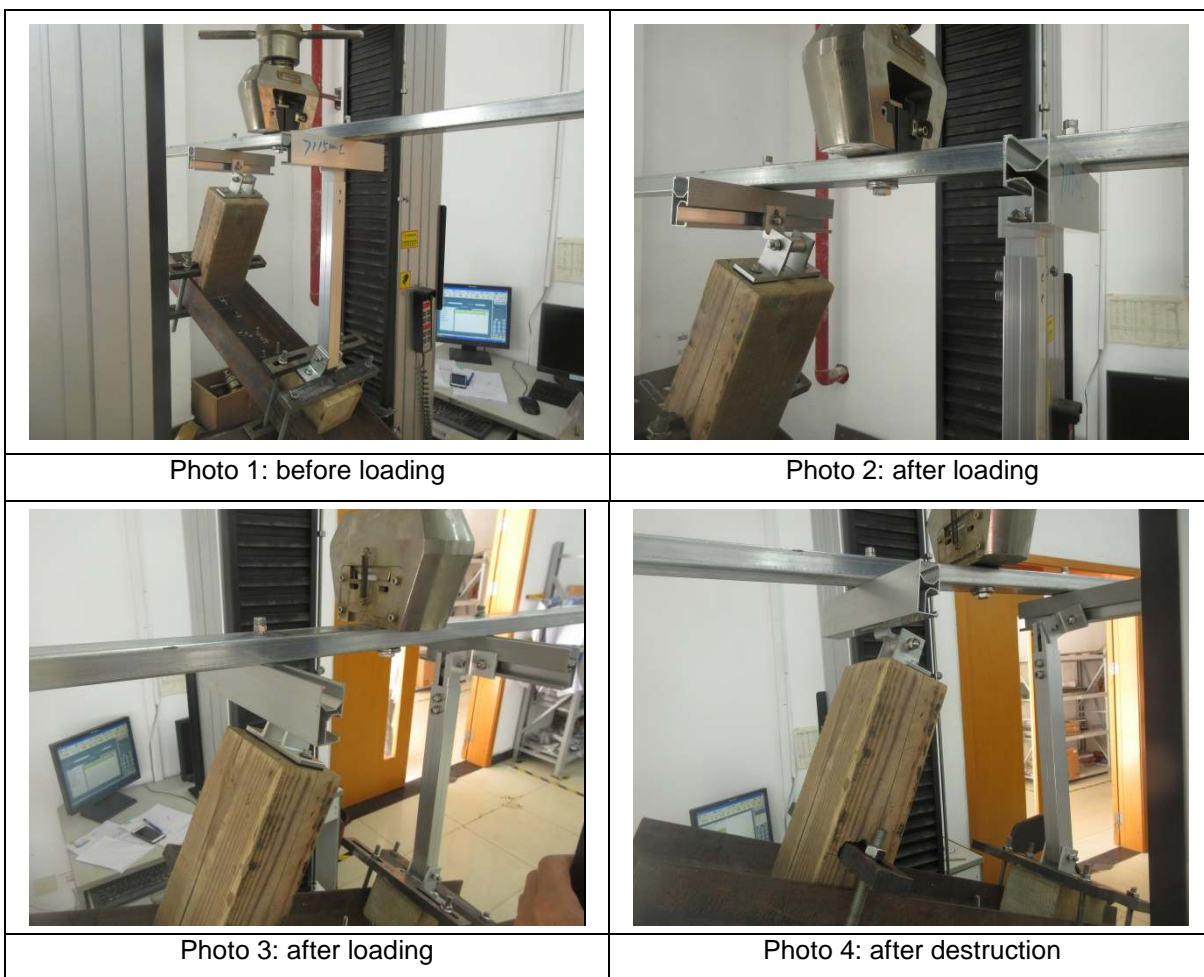
TEST REPORT

No. : XMIN1909007115ML

Date : Oct 28, 2019

Page: 4 of 5

Test Photo:



Unless otherwise agreed in writing, this document is issued by the Company subject to its General Conditions of Service printed overleaf, available on request or accessible at <http://www.sgs.com/en/Terms-and-Conditions.aspx> and, for electronic format documents, subject to Terms and Conditions for Electronic Documents at <http://www.sgs.com/en/Terms-and-Conditions/Terms-e-Documents.aspx>. Attention is drawn to the limitation of liability, indemnification and jurisdiction issues defined therein. Any holder of this document is advised that information contained hereon reflects the Company's findings at the time of its intervention only and within the limits of Client's instructions, if any. The Company's sole responsibility is to its Client and this document does not exonerate parties to a transaction from exercising all their rights and obligations under the transaction documents. This document cannot be reproduced except in full, without prior written approval of the Company. Any unauthorized alteration, forgery or falsification of the content or appearance of this document is unlawful and offenders may be prosecuted to the fullest extent of the law. Unless otherwise stated the results shown in this test report refer only to the sample(s) tested and such sample(s) are retained for 30 days only.

Attention: To check the authenticity of testing / inspection report & certificate, please contact us at telephone: (86-755) 8307 1443, or email: CN.Doccheck@sgs.com

No.31 Xianghong Road, Xiang'an Torch Industrial Zone, Xiamen, Fujian Province, China. 361101 t (86-592) 5761588 f (86-592) 5765380 www.sgs.com.cn
 中国·福建·厦门·火炬(翔安)产业区翔虹路31号 邮编:361101 t (86-592) 5761588 f (86-592) 5765380 e sgs.china@sgs.com

TEST REPORT

No. : XMIN1909007115ML

Date : Oct 28, 2019

Page: 5 of 5



Photo 5: part view after destruction



Photo 6: the sample after test

***** End of report*****



Unless otherwise agreed in writing, this document is issued by the Company subject to its General Conditions of Service printed overleaf, available on request or accessible at <http://www.sgs.com/en/Terms-and-Conditions.aspx> and, for electronic format documents, subject to Terms and Conditions for Electronic Documents at <http://www.sgs.com/en/Terms-and-Conditions/Terms-e-Documents.aspx>. Attention is drawn to the limitation of liability, indemnification and jurisdiction issues defined therein. Any holder of this document is advised that information contained hereon reflects the Company's findings at the time of its intervention only and within the limits of Client's instructions, if any. The Company's sole responsibility is to its Client and this document does not exonerate parties to a transaction from exercising all their rights and obligations under the transaction documents. This document cannot be reproduced except in full, without prior written approval of the Company. Any unauthorized alteration, forgery or falsification of the content or appearance of this document is unlawful and offenders may be prosecuted to the fullest extent of the law. Unless otherwise stated the results shown in this test report refer only to the sample(s) tested and such sample(s) are retained for 30 days only.

Attention: To check the authenticity of testing / inspection report & certificate, please contact us at telephone: (86-755) 8307 1443, or email: CN.Doccheck@sgs.com

No.31 Xianghong Road, Xiang'an Torch Industrial Zone, Xiamen, Fujian Province, China. 361101 t (86-592) 5761588 f (86-592) 5765380 www.sgs.com.cn
 中国·福建·厦门·火炬(翔安)产业区翔虹路31号 邮编:361101 t (86-592) 5761588 f (86-592) 5765380 e sgs.china@sgs.com